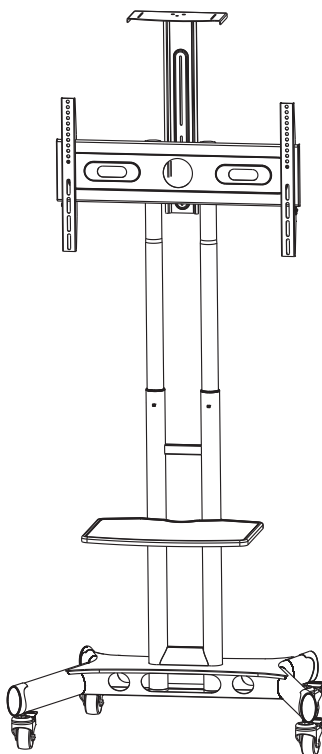


# Installation manual

## M Public Floorstand Basic 150

EAN: 7350073732319

fr	Installation Manuel
ar	تثبيت ليد
cs	Instalační manuál
de	Installationsmanual
de	Installationsanleitung
eo	Paigaldusjuhend
el	Οδηγίες εγκατάστασης
es	Manual de instalación
fi	Asennusohje
he	חוקתת יריד
hu	Szerelési kézikönyv
it	Manuale di installazione
jp	取り付け説明書
kr	설치 설명서
lt	Montavimo instrukcija
lv	Uzstādīšanas rokasgrāmata
nl	Installatie handleiding
no	Installasjonshåndbok
pl	Instrukcja instalacji
pt	Manual de instalação
ro	Manual de instalare
ru	Инструкция по установке
sk	Inštaláčny manuál
sl	Navodila za montažo
sv	Installationsmanual
tr	Montaj kılavuzu
zh	安装手册



# Table of Contents




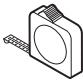



Table of Contents and Warning .....	2/12
Parts list .....	3/12
Assembly and Installation	
1. Castor wheels to base installation .....	4/12
2. Post assembly to base installation .....	5/12
3. Install telescopic mounting poles .....	6/12
4. Av shelf assembly and installation .....	7/12
5. Installation of interface .....	8/12
6. Selection of TV mounting patterns .....	9/12
7. Mounting TV on pole interface .....	10/12
8. Video tray installation .....	11/12
9. Cables and wires installation .....	12/12

## WARNING!

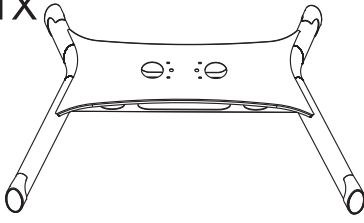
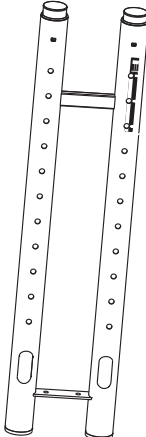
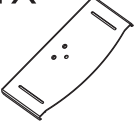

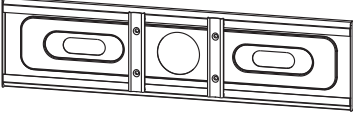
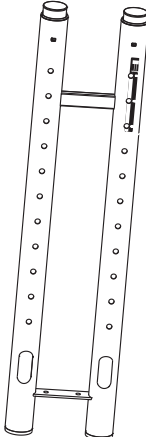
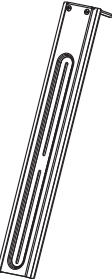

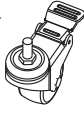

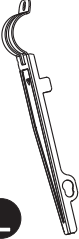
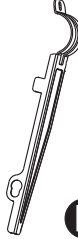
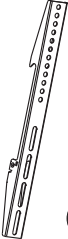
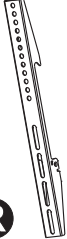
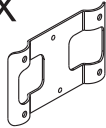










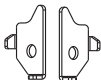


Severe personal injury and property damage can result from improper installation or assembly. Read the following warning carefully before beginning.

- If you do not understand the instructions or have any concerns or questions, please contact a qualified local installer.
  - Do not install or assemble if the product or hardware is damaged or missing, if you require replacement parts, please contact your local distributor for assistance.
  - This product fits most 32"-60" LCD/plasma screen; maximum weight of LCD/plasma screen: 100lbs/45.5kg; AV shelf max load: 10lbs/4.5kg.
  - Do not use this product for anything other than the original design.
  - This product contains moving parts, please use with caution.
  - The manufacturer disclaims any liability for the modifications, improper installation, or installation over the specified weight range. The manufacturer will not be liable for any damages arising out of the use of, or inability to use, the product.
- ▶ All images are for reference, to prevail in product.

## Manual

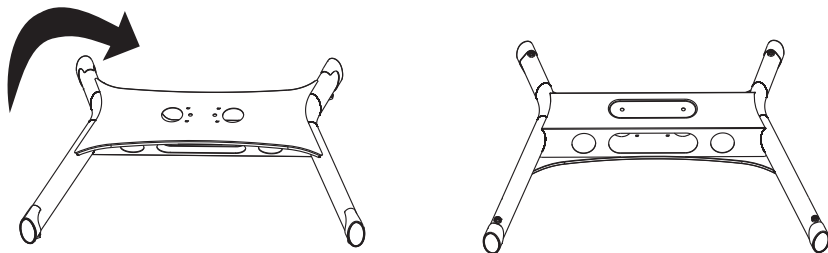
						
Tightening Direction	Loosening Direction	Phillips Screwdriver	Metre Rule	Adjustment	By Hand	Hex Wrench

## Parts List

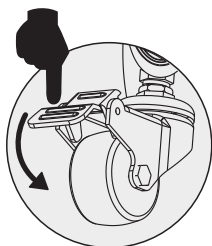
1X 	1X 	1X 	4X 		
1X 	1X 	1X 	2X   4X 		
1X 	1X  <b>L</b>	1X  <b>R</b>	1X  <b>L</b>	1X  <b>R</b>	1X   1X 
A 4X  M4×12mm	B 4X  M5×25mm	C 4X  M6×25mm	D 4X  M8×25mm	E 4X  Φ16×Φ6.2×1.5mm	F 4X  Φ19×8.5×H13mm
A2 6X  M8×26mm	B2 4X  M8×55mm	C2 2X  M5×12mm	D2 1X 	E2 4X  Φ16.5×Φ12.5×2mm	F2 1X  M6

# 1. Castor wheels to base installation

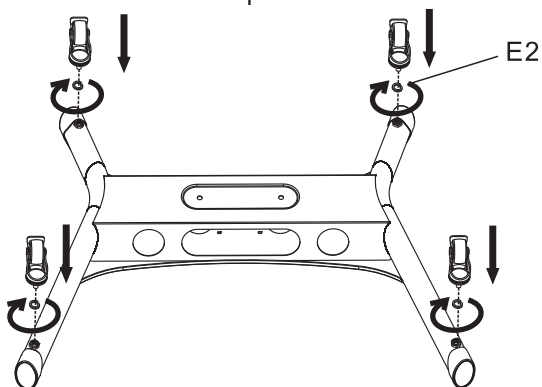
Step 1



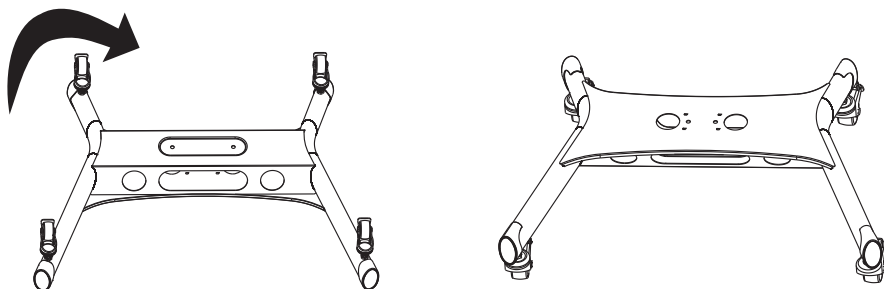
Step 2



Step 3



Step 4

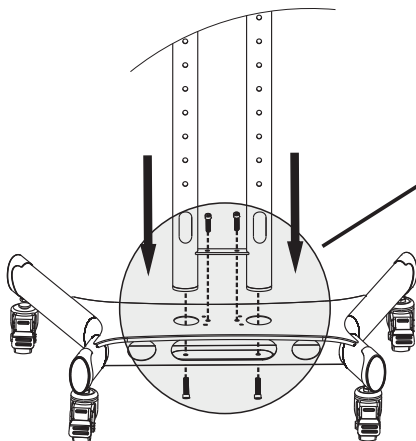


## 2. Post assembly to base installation

### Step 1

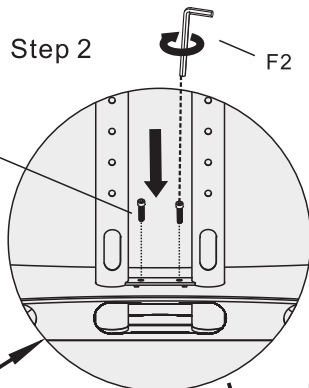
**Note:**

Make sure cables management windows are facing the rear of base.



### Step 2

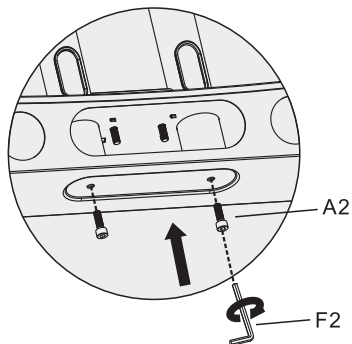
A2



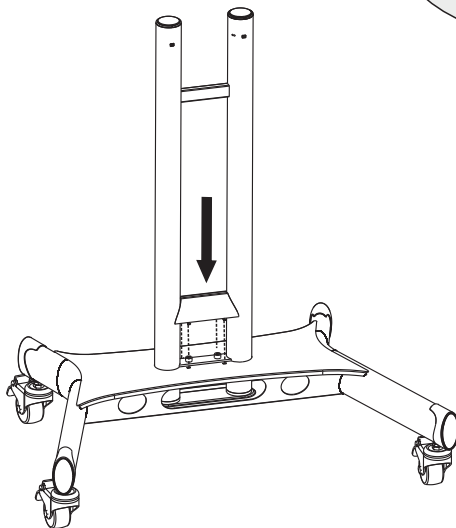
### Step 3

**Caution:**

Ensure screws are secured firmly.



### Step 4



### 3. Install telescopic mounting poles

Step 1. Use thumb or finger to depress the right upper pole spring plunger ball located at the cable window, twist and pull upper pole upward until your desired height. Shown in fig-1 twist upper pole toward the plunger holes direction and engage the spring ball into the plunger hole and set as shown in fig-2.

Step 2. Repeat step 1 for left pole.

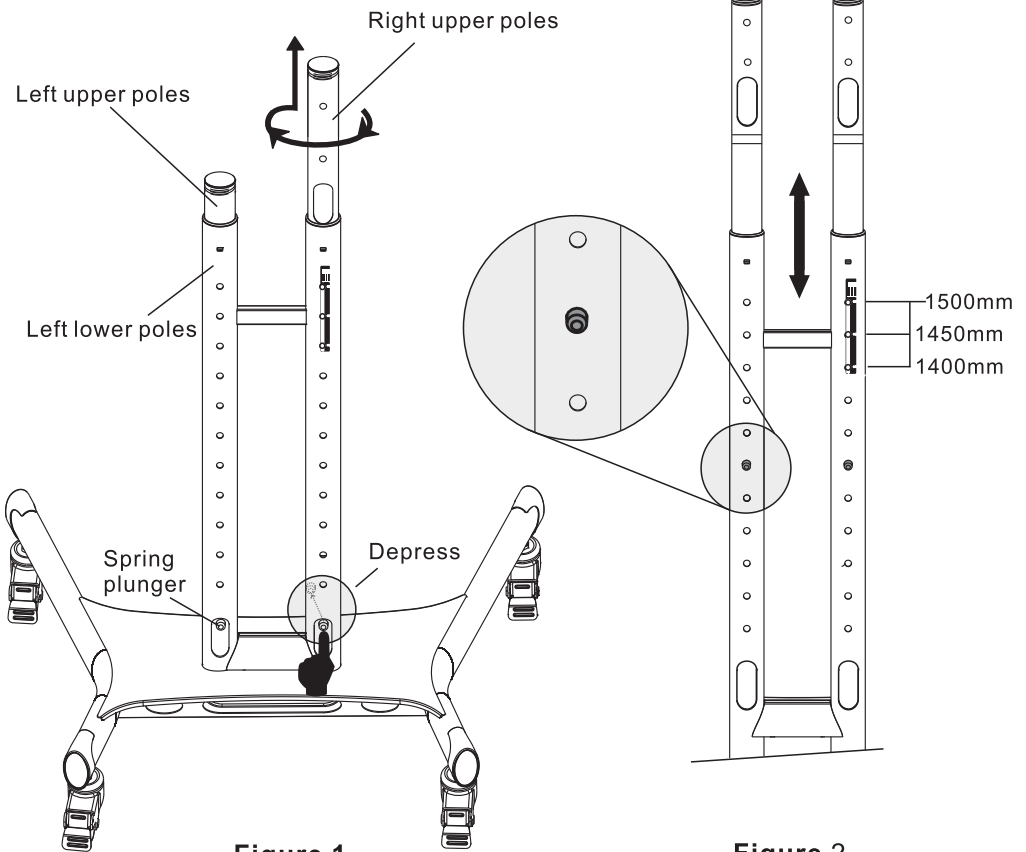
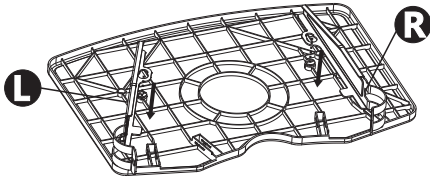


Figure 1

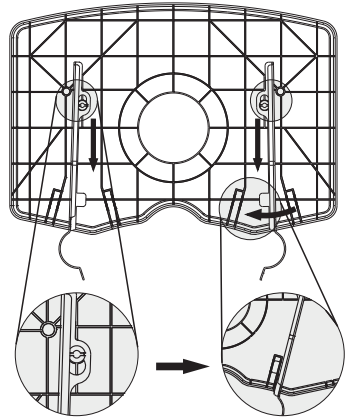
Figure 2

## 4. Shelf assembly and installation

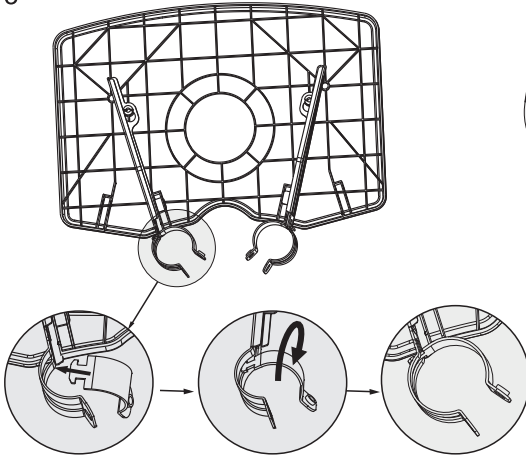
Step 1



Step 2

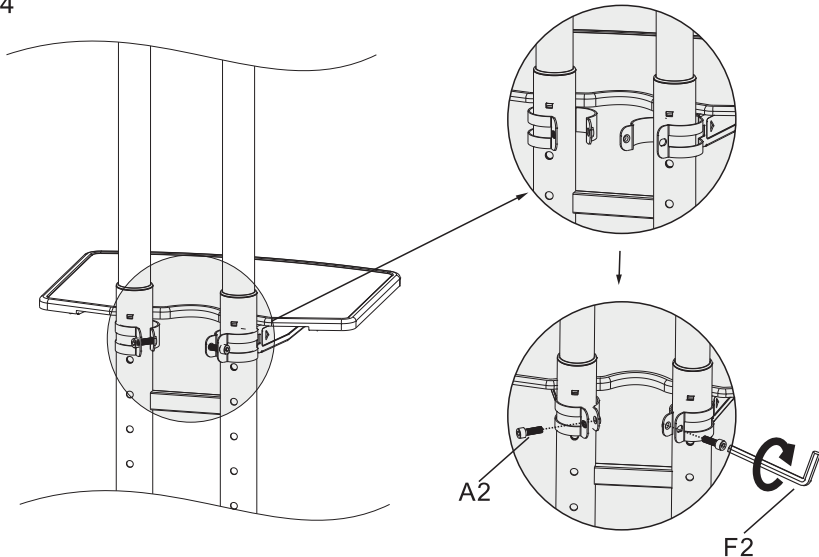


Step 3



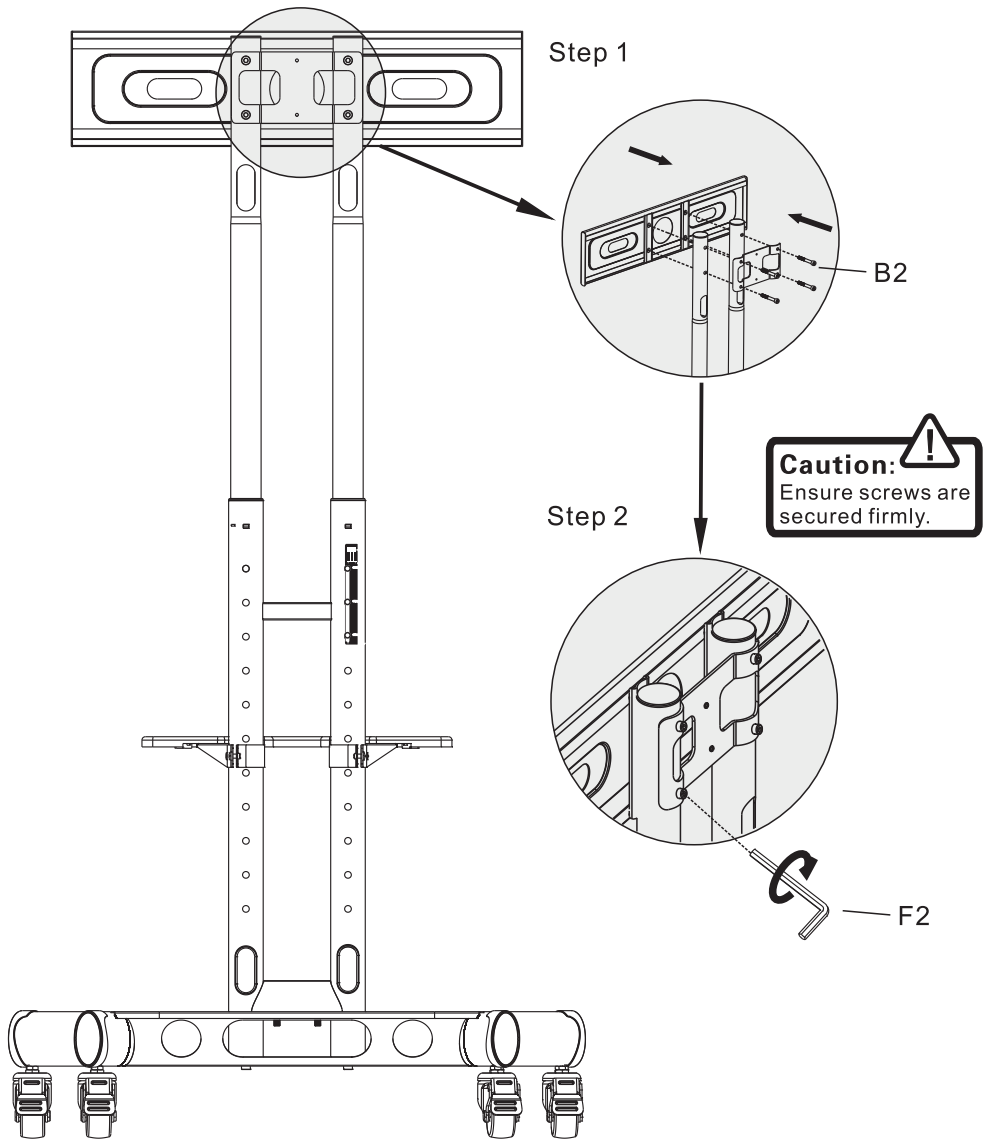
**Caution:**   
Ensure screws are secured firmly.

Step 4



7/12

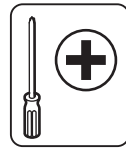
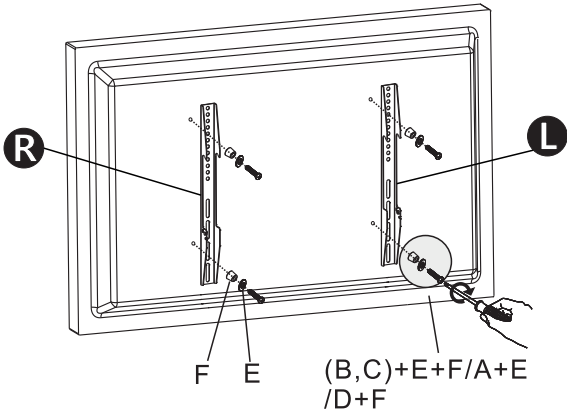
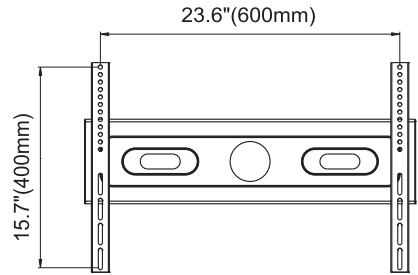
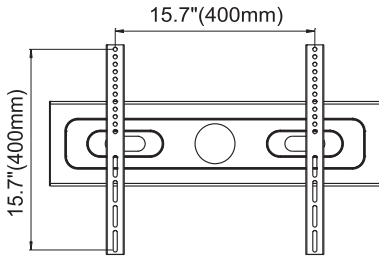
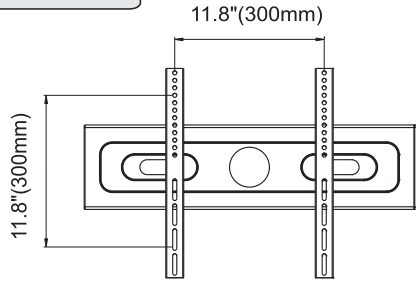
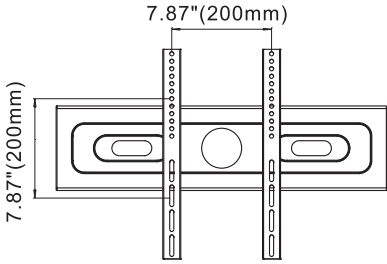
## 5. Installation of interface





## 6. Selection of TV mounting patterns

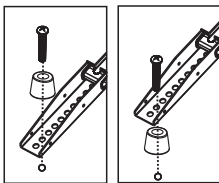
VESA: 200x200~600x400mm



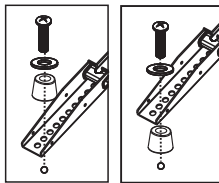
### Note:

To avoid damage plastic spacer must be used when depth of mounting holes is minimal.

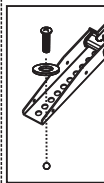
M8×25mm(D)



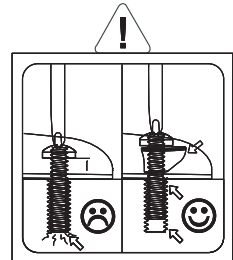
M5×25mm(B)  
M6×25mm(C)



M4×12mm(A)

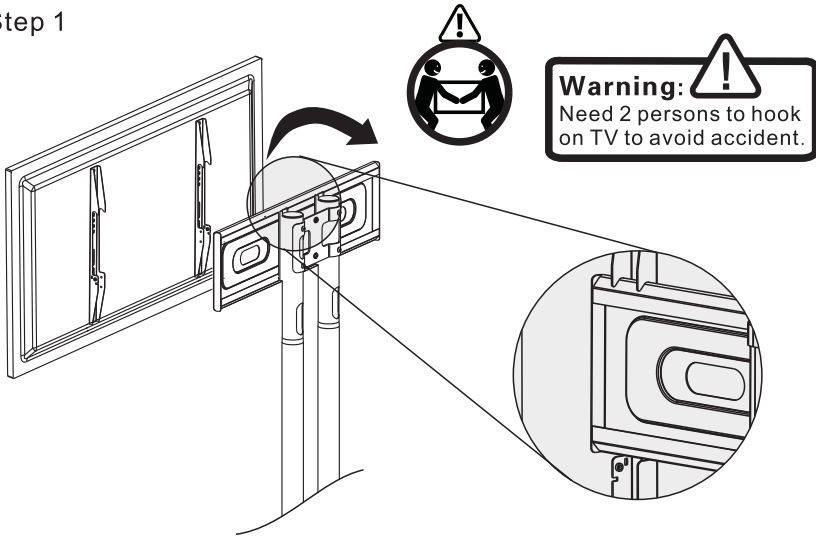


Safety advise



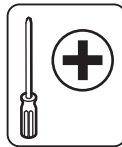
## 7. Mounting TV on pole interface

Step 1



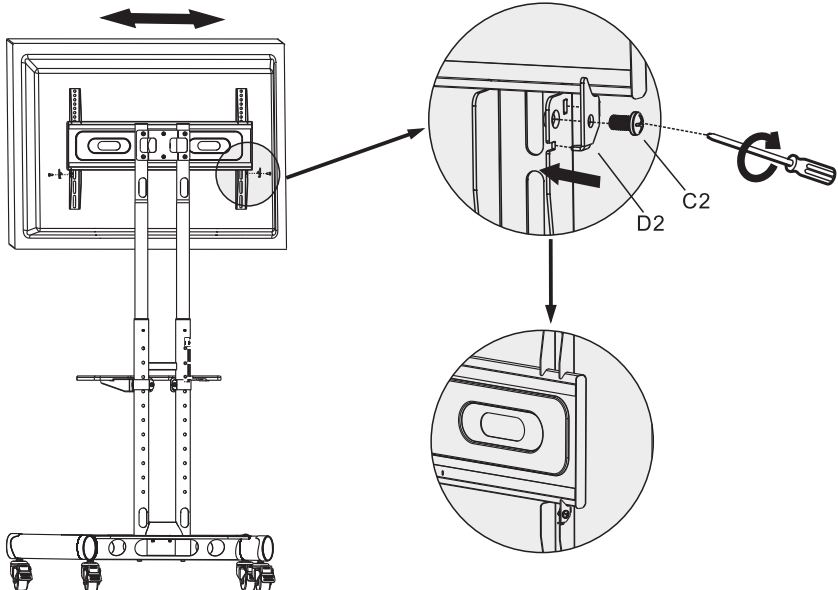
Step 2

**Note:**  
Moves TV to center.



Step 3

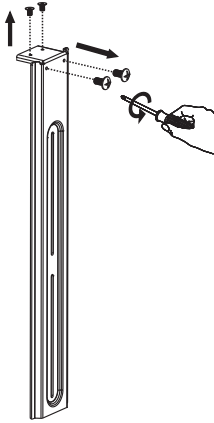
**Caution:**  
Ensure screws are secured firmly.



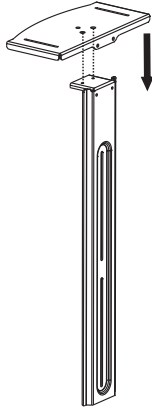
10/12

## 8. Camera holder installation

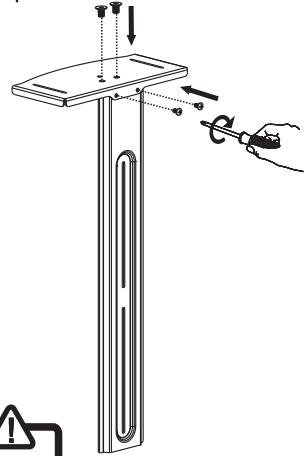
Step 1



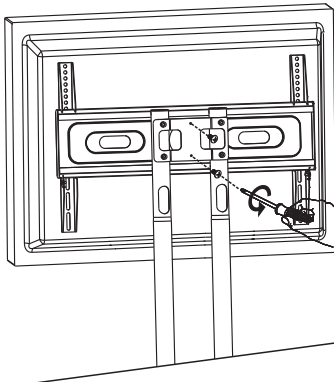
Step 2



Step 3

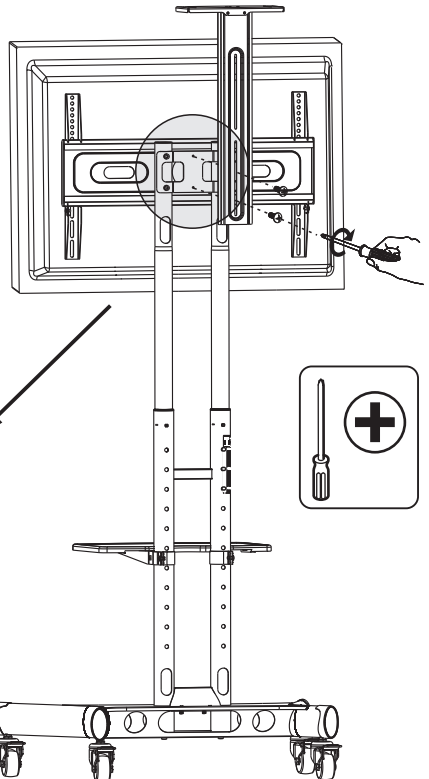


Step 4



Step 5

**Caution:**  Ensure screws are secured firmly.



**Note:**  
Adjustable height.

## 9. Cables and wires installation

