

QuantumT™ Flex Stand Installation Guide

For kits 46-00288 and 46-00289

Components Required for Flex Stand Installation

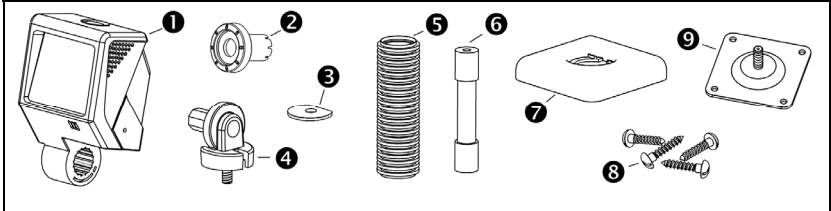


Figure 1. Components

- | | | |
|-----|---|--------|
| 1. | MS3580, QuantumT | Qty. 1 |
| 2. | Pivot Cylinder | Qty. 1 |
| 3. | Bearing Plate | Qty. 1 |
| 4. | Pole Mount Adapter | Qty. 1 |
| 5. | Flexible Shaft Cover* | Qty. 1 |
| 6. | Flexible Shaft* | Qty. 1 |
| 7. | Base Plate Cover | Qty. 1 |
| 8. | #8 x 1.00" Wood Screw | Qty. 4 |
| 9. | Base Plate | Qty. 1 |
| 10. | Communication/Power Cable (Not Shown) | Qty. 1 |

* Length of the Flexible Shaft and Shaft Cover are Kit Dependent	
Kit Number	Length of Flexible Shaft and Flexible Shaft Cover
46-00288	3 inches
46-00289	6 inches

Base Plate Installation

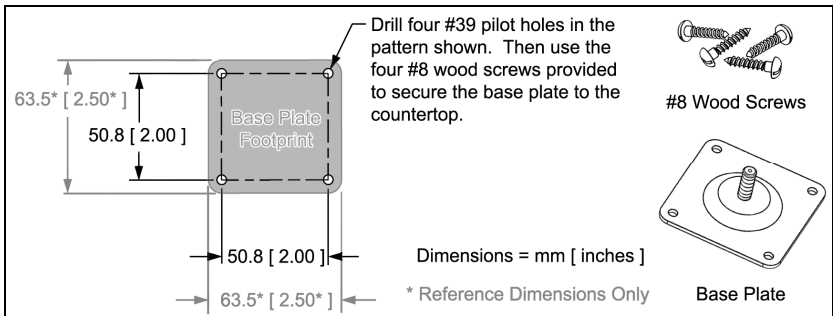


Figure 2. Specifications for Securing the Base Plate

For kits 46-00288 and 46-00289

Flex Stand Assembly

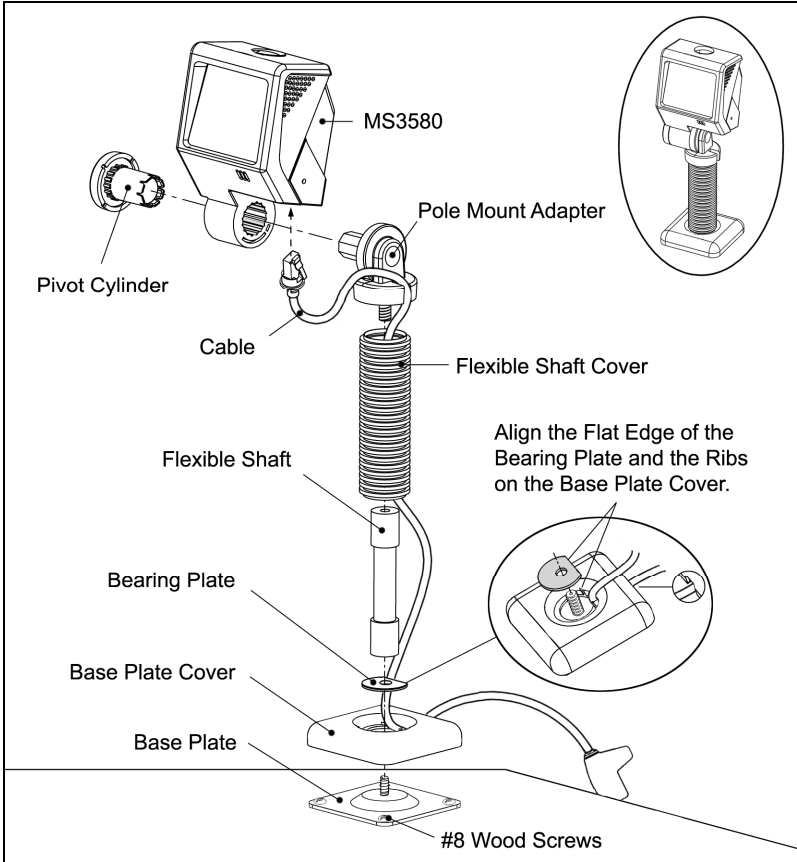


Figure 3. Flex Stand Assembly for Kits 46-00288 and 46-00289

For kits 46-00291 and 46-00292

Components Required for Flex Stand Installation

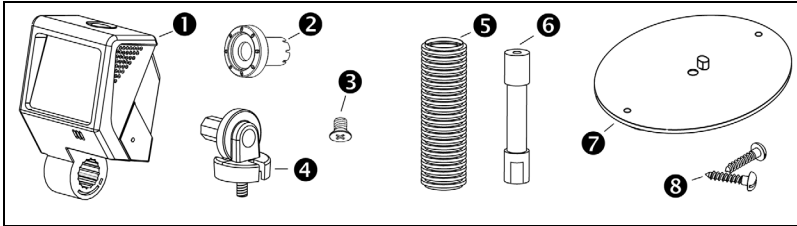


Figure 1. Components

- 1. MS3580, QuantumTQty. 1
- 2. Pivot CylinderQty. 1
- 3. ¼" – 20 x 3/8" Flat Head Phillips, 100° Undercut.....Qty. 1
- 4. Pole Mount AdapterQty. 1
- 5. Flexible Shaft*Qty. 1
- 6. Flexible Shaft*Qty. 1
- 7. Stand BaseQty. 1
- 8. #8 x 1.00" Wood ScrewQty. 2
- 9. Communication/Power Cable (Not Shown)Qty. 1

* Length of the Flexible Shaft and Shaft Cover are Kit Dependent	
Kit Number	Length of Flexible Shaft and Flexible Shaft Cover
46-00291	3 inches
46-00292	6 inches

Base Plate Installation

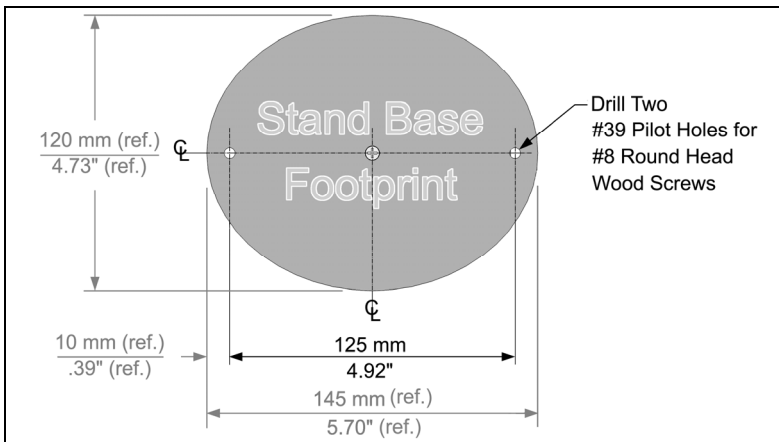


Figure 2. Specifications for Securing the Base Plate

For kits 46-00291 and 46-00292

Flex Stand Assembly

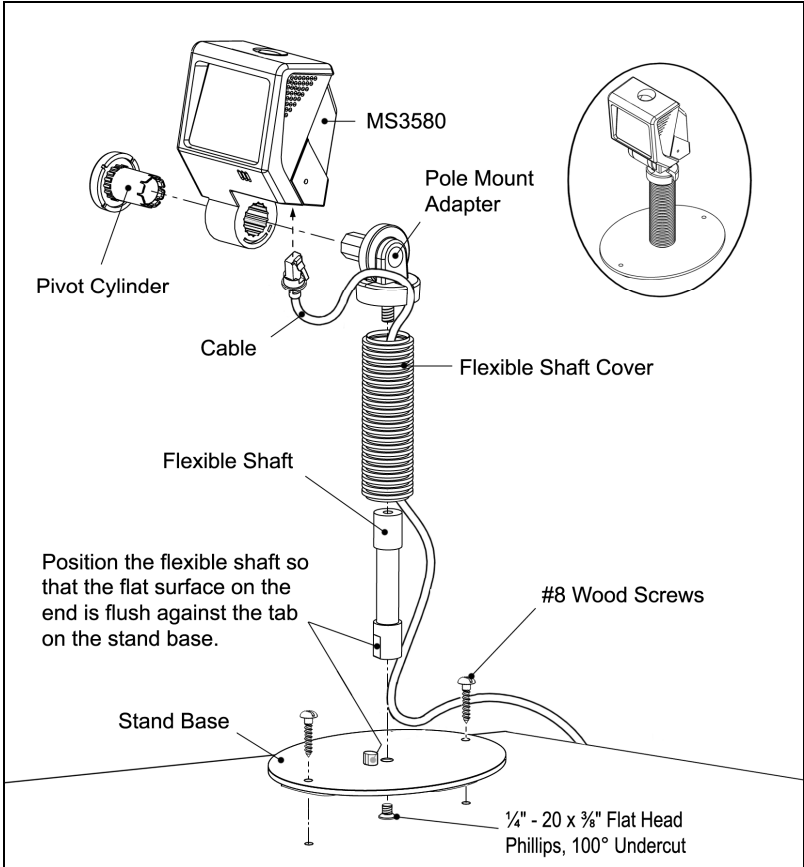


Figure 3. Flex Stand Assembly for Kits 46-00291 and 46-00292

Honeywell Scanning & Mobility

9680 Old Bailes Road
Fort Mill, SC 29707
www.honeywellaidc.com



00-02534 Rev D
10/10