

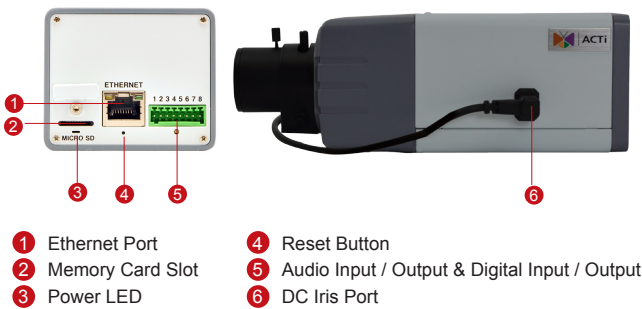
E271

10MP Box with D/N,
Basic WDR, Vari-focal Lens



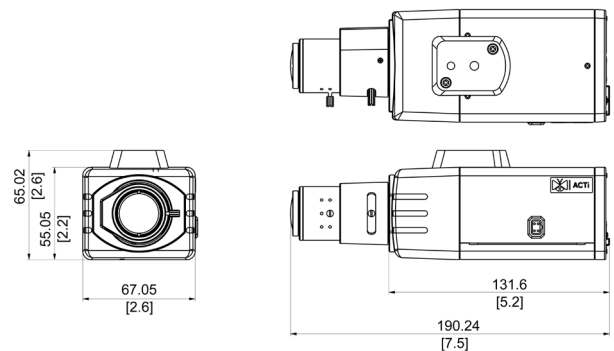
- 10 Megapixel with 4K/1080p
- Day & Night
- Vari-focal Lens with f3-13mm / F1.4, DC Iris
- Basic WDR (70 dB)
- 30 fps at 1920 x 1080
- Wide Angle

PHOTO INDICATION



- 1 Ethernet Port
- 2 Memory Card Slot
- 3 Power LED
- 4 Reset Button
- 5 Audio Input / Output & Digital Input / Output
- 6 DC Iris Port

DIMENSION DIAGRAM



Unit: mm [inch]

ACCESSORY OPTIONS

| Outdoor Housing & Bracket | | |
|---------------------------|--|------------------------------------------------------------------------------------------------------|
| PMAX-0200 | | IP66, with heater and fan powered by 110V AC, -30°C ~ 50°C (-22°F ~ 122°F), requires housing bracket |
| PMAX-0201 | | IP66, with heater and fan powered by 220V AC, -30°C ~ 50°C (-22°F ~ 122°F), requires housing bracket |
| PMAX-0202 | | IP66, -10°C ~ 50°C (14°F ~ 122°F), requires housing bracket |
| PMAX-1101 | | Aluminum, max. load 10 kg (22.05 lb), tilt angle 90° (For PMAX-0200, PMAX-0201, PMAX-0202) |

| Camera Bracket | | |
|----------------|--|--------------------------------------------------------|
| PMAX-1104 | | Ceiling bracket for indoor box or bullet cameras, gray |

| Power Supply | | |
|--------------|--|-------------------------------------------------------------------------------|
| PPOE-0001 | | IEEE 802.3af PoE Injector for Class 1, 2 or 3 devices, with universal adapter |

| Popular Mounting Solutions | | |
|----------------------------|-------------------------------------|--|
| Corner | PMAX-0202 PMAX-1106 PMAX-0402 | |
| Pole | PMAX-0202 PMAX-1106 PMAX-0503 | |

* For more mounting solutions, please refer to Project Planner on www.acti.com

PRODUCT SPECIFICATION**E271****• Device**

| | |
|--------------------------|---------------------------------------------------------------------------------|
| Device Type | Box Camera |
| Image Sensor | Progressive Scan CMOS |
| Sensor Size | 1/2.3" |
| Effective Pixels | 3856 (H) x 2764 (V) (10.66 MP) |
| Day / Night | Yes |
| Low Light Sensitivity | Standard |
| Minimum Illumination | Color: 0.1 lux at F1.4 (30 IRE, 2400°K); B/W: 0.05 lux at F1.4 (30 IRE, 2400°K) |
| Color to B/W Switch | ISP based switch; Configurable |
| Mechanical IR Cut Filter | Yes |
| IR Sensitivity Range | 700 - 1100 nm |
| IR LED | No |
| Electronic Shutter | 1/5 ~ 1/2,000 sec (manual mode); 1/5 ~ 1/10,000 sec (auto mode) |
| Horizontal Resolution | 1450 TVL |
| S/N Ratio | 52 dB |

• Lens

| | |
|--------------------------|---------------------------------|
| Focal Length / Aperture | Vari-focal, f3 - 13mm / F1.4 |
| Iris | DC iris |
| Focus | Manual focus |
| Lens Mount | CS mount (interchangeable lens) |
| Horizontal Viewing Angle | 100.5° ~ 26.2° |

• Video

| | |
|--------------------------------|-------------------------------------------------------------------------------------------------------------------------------------------------------------------------------------------------------|
| Compression | H.264 (Baseline / Main / High profile), MJPEG |
| Max. Frame Rate vs. Resolution | 7 fps at 3648 x 2736; 7 fps at 3648 x 2160; 7 fps at 2592 x 1944; 7 fps at 2048 x 1536; 30 fps at 1920 x 1080; 30 fps at 1280 x 720; 30 fps at 800 x 600; 30 fps at 640 x 480; 15 fps at 320 x 240 |
| Multi-Streaming | Simultaneous dual streams based on two configurations |
| Bit Rate | 28 Kbps - 6 Mbps (per stream) |
| Bit Rate Mode | Constant, Variable |
| Image Enhancement | Basic WDR (70 dB); White balance: automatic, hold, and manual; Brightness; Contrast; Sharpness (auto); Auto gain control; Digital noise reduction; Flickerless |
| Privacy Mask | 4 configurable regions |
| Text Overlay | User defined text on video |
| Image Orientation | Image flip and mirror |

• Audio

| | |
|-------------|------------------------------------------|
| Compression | 8kHz, Mono, PCM, 16 bit encoding; G. 711 |
| Audio-In | Terminal Block |
| Audio-Out | Terminal block |

• Network

| | |
|--------------------|-----------------------------------------------------------------------------------------------------------------------------|
| Protocol & Service | TCP, UDP, HTTP, HTTPS, DHCP, PPPoE, RTP, RTSP, IPv4, IPv6, DNS, DDNS, NTP, ICMP, ARP, IGMP, SMTP, FTP, UPnP, SNMP, Bonjour |
| Ethernet Port | 1, Ethernet (10/100 Base-T), RJ-45 connector |
| Security | IP address filtering; HTTPS encryption; Password protected user levels; Anonymous login; IEEE 802.1X network access control |

• Alarm

| | |
|----------------|--------------------------------------------------------------------------------------------------------------------------------------------------------------------------------------------------------------------------------------------|
| Alarm Trigger | Video motion detection (3 regions); External device through digital input; Sound detection |
| Alarm Response | Notify control center; Change camera settings; Command other devices; E-mail notification with snapshots; Save video or snapshot to local storage; Upload video or snapshot to FTP server, Activate external device through digital output |

• Interface

| | |
|-------------------|----------------------------------------------------------|
| DC Iris Connector | External connector for DC iris lens |
| Digital Input | 1, Terminal block |
| Digital Output | 1, Terminal block |
| Local Storage | MicroSDHC/MicroSDXC memory card slot (card not included) |

• General

| | |
|----------------------------|-------------------------------------------------------------------------------------------------|
| Power Source / Consumption | PoE Class 2 (IEEE802.3af) / 4.32 W |
| Weight | 486 g (1.071lb) |
| Dimensions (W x H x D) | 190 mm x 67 mm x 65 mm (7.5" x 2.6" x 2.6") |
| Environmental Casing | Optional housing (IP 66 rated) |
| Starting Temperature | -10°C ~ 50°C (14°F ~ 122°F) |
| Operating Temperature | -10°C ~ 50°C (14°F ~ 122°F) |
| Operating Humidity | 10% ~ 85% RH |
| Approvals | CE (EN 55022 Class B, EN 55024), FCC (Part15 Subpart B Class B), UL (for optional PoE injector) |

• Integration

| | |
|-------------------------|-----------------------------------------------------------------------------------------------------------------------------------------------------------------|
| Unified Solution | Fully compatible with ACTi software |
| ISV Integration | Software Development Kit (SDK) available, ONVIF compliant |
| GPS Position | Manual setting |
| Firmware Access Browser | Microsoft Internet Explorer 8.0 or newer (full functionality) Safari with QuickTime installed, and other browsers with VLC installed (partial functionality) |

* All specifications are subject to change without notice.

* All brand names and registered trademarks are the property of their respective owners.

www.acti.com