

# DVI/Audio Cat 5 Extender with MK Wall Plate

## VE607

- The VE607 DVI/Audio Cat 5 Extender with MK Wall Plate is designed to be conveniently mounted in a one-gang junction box for UK, Singapore, Hong Kong and other markets that apply MK type junction boxes. It extends DVI and audio signals up to 60 m over Cat 5e/6 cable and supports wide screen formats while ensuring excellent video quality.

The VE607 can be easily powered at either the transmitter or receiver side using a second Cat 5e/6 cable. The VE607's compact wall plate design does away with bulky cables allowing a neat and convenient installation. Therefore, it is a perfect solution for function rooms, museums and any setting that requires equipment or cabling to be kept from the public's view.

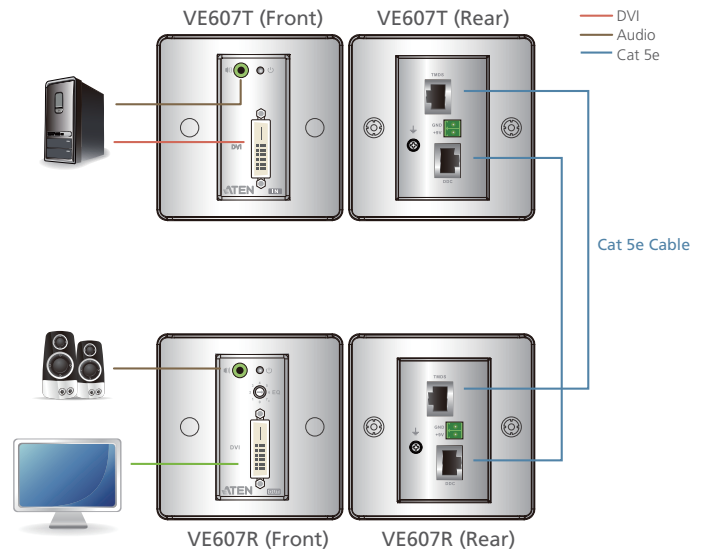


## Features

- Uses two Cat 5e/6 cables to connect the local and remote units- one to transmit video, and another for power\*
- Remotely powered from either the transmitter or receiver side\*\*
- Extends the distance between DVI source and DVI display
- Supports superior video quality up to 1080p @ 60 Hz at a distance of 40 m; 1080i @ 60 Hz at a distance of 60 m
- Designed to mount in one-gang junction box for UK, Singapore, Hong Kong and other markets that apply MK type junction boxes.
- Supports 8 segment equalization adjustment via switch
- Supports wide screen formats
- Supports hot-plugging
- Supports stereo audio
- Built-in 8KV/ 15 KV ESD protection
- Plug-and-play with no software installation required
- LED indication of power sources / connection status

\* A second Cat 5e/6 cable connection is required to remotely power on either the transmitter or receiver

\*\* A power adapter is provided with this package and can be used at either the transmitter or receiver side, which in turn remotely powers the other unit



## Specifications

Function	VE607R	VE607T
<b>Video Input</b>		
Interfaces	N/A	1 x DVI-D Female (White)
Impedance	N/A	100 Ω
<b>Video Output</b>		
Interfaces	1 x DVI-D Female (White)	N/A
Impedance	100 Ω	N/A
<b>Video</b>		
Max. Data Rate	6.75 Gbps (2.25 Gbps Per Lane)	
Max. Pixel Clock	225 MHz	
Compliance	HDCP Compatible	
Max. Resolutions / Distance	Up to 1920 x 1200 @ 40 m; 1280 x 1024 @ 60 m	
<b>Audio</b>		
Input	N/A	1 x Mini Stereo Jack Female (Green)
Output	1 x Mini Stereo Jack Female (Green)	N/A
<b>Power</b>		
Connectors	1 x Terminal Block (Green)	
Consumption	9 VDC, 2.9 W	
<b>Environmental</b>		
Operating Temperature	0° to 50° C	
Storage Temperature	-20° to 60° C	
Humidity	0 - 80% RH, Non-Condensing	
<b>Physical Properties</b>		
Housing	Metal	Metal
Weight	0.18 kg	0.18 kg
Dimensions (L x W x H)	8.60 x 8.60 x 4.34 cm	8.60 x 8.60 x 4.34 cm

