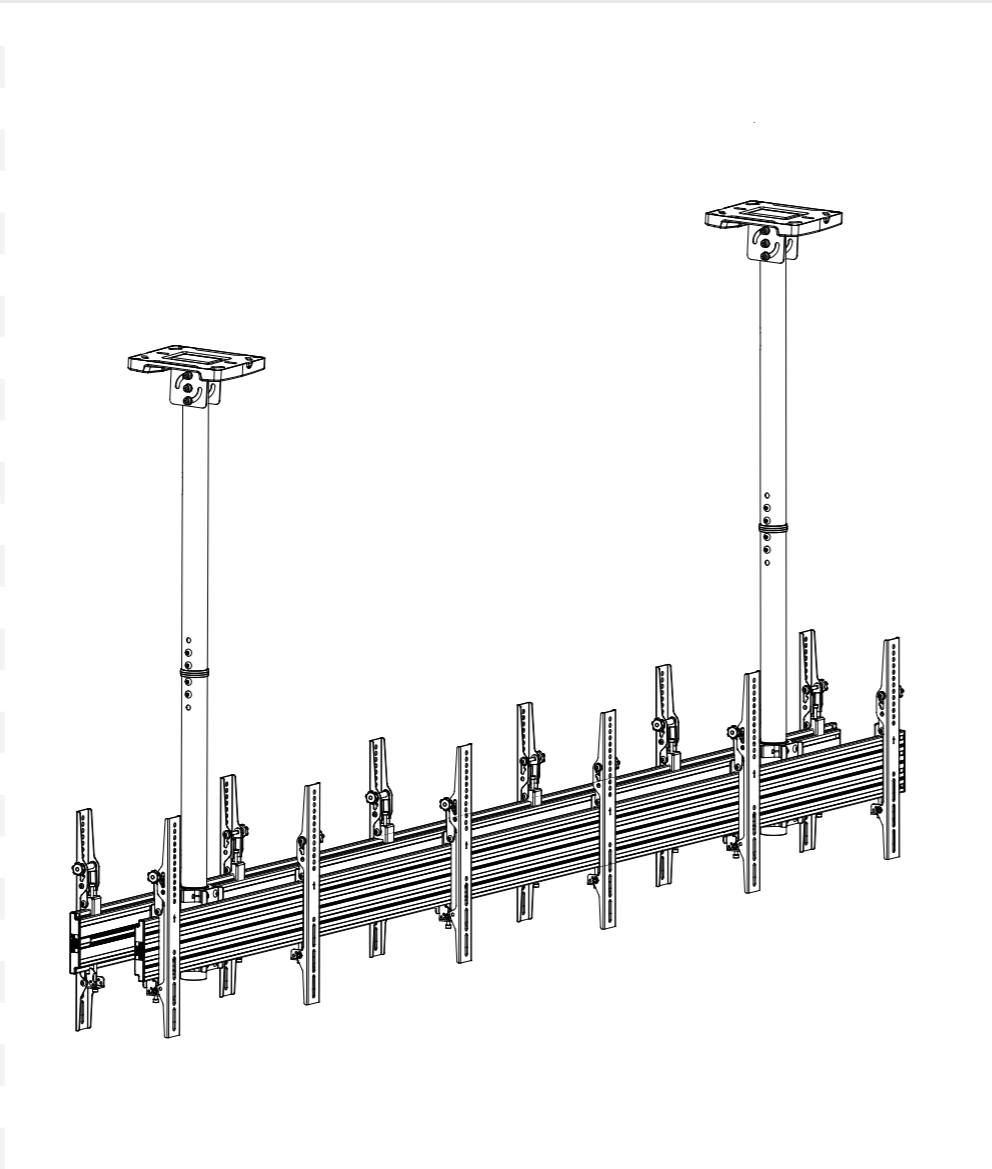


# Installation manual

## M Ceiling Mount Pro MBC3X1U2

EAN: 7350073733507

<span>ar</span>	تثبيت الحامل
<span>cz</span>	Instalační manuál
<span>da</span>	Installationsmanual
<span>de</span>	Installationsanleitung
<span>ee</span>	Paigaldusjuhend
<span>el</span>	Οδηγίες εγκατάστασης
<span>es</span>	Manual de instalación
<span>fi</span>	Asennusohje
<span>fr</span>	Installation Manuel
<span>he</span>	הנחיה לייצור
<span>hu</span>	Szerelési kézikönyv
<span>it</span>	Manuale di installazione
<span>jp</span>	取り付け説明書
<span>kr</span>	설치 설명서
<span>li</span>	Montavimo instrukcija
<span>lt</span>	Užstādīšanas rokasgrāmata
<span>nl</span>	Installatie handleiding
<span>no</span>	Installasjonshåndbok
<span>pl</span>	Instrukcja instalacji
<span>pt</span>	Manual de instalação
<span>ro</span>	Manual de instalare
<span>ru</span>	Инструкция по установке
<span>sk</span>	Inštaláčny manuál
<span>sl</span>	Navodila za montažo
<span>sv</span>	Installationsmanual
<span>tr</span>	Montaj kılavuzu
<span>zh</span>	安装手册



www.multibrackets.com

www.multibrackets.com

**Warning!**  
Always check the depth of the holes before starting an installation.

تحذير!  
الرجاء دائماً فحص عمق الثقوب قبل أن تبدأ في عملية التركيب.

**ADVARSEL!**  
Kontroller alltid hullernes dybde, før du går i gang med en installasjon.

**WARNUNG!**  
Vor Beginn des Einbaus immer die Tiefe der Bohrungen überprüfen.

**ΠΡΟΕΙΔΟΠΟΙΗΣΗ!**  
Ελέγξτε πάντοτε το βάθος των οπών προτού ξεκινήσετε την εγκατάσταση.

**WARNING!**  
Always check the depth of the holes before starting an installation.

**¡AVISO!**  
Controle siempre la profundidad de los agujeros antes de iniciar una instalación.

**VAROITUS!**  
Selvitä reikien syvyys ennen asentamisen aloittamista.

**ATTENTION !**  
Vérifiez toujours la profondeur des trous avant de commencer l'installation.

**ATTENZIONE!**  
Verificare sempre la profondità dei fori prima dell'installazione.

**Varovani!**  
Před začátkem instalace vždy zkontrolujte potřebnou hloubku všech otvorů.

**ADVARSEL!**  
Sjekk alltid hvor dype hullene er før du begynner å montere.

**OSTRZEŻENIE!**  
Przed przystąpieniem do montażu należy koniecznie sprawdzić głębokość otworów.

**ПРЕДУПРЕЖДЕНИЕ!**  
Перед установкой всегда проверяйте глубину отверстий.

**WARNING!**  
Kontrollera alltid hålens djup innan en installation påbörjas.

**UYARI!**  
Montaja başlamadan önce daima deliklerin derinliğini kontrol edin.

警告!  
请始终在安装前检查孔洞的深度。

**WARRANTY CARD** MULTIBRACKETS.COM

**MULTIBRACKETS™ Limited Warranty**  
Multibrackets warrants its products to be free of defects in material and workmanship for the product's Warranty Period. The Warranty Period commences on the original purchase date of the product.

For warranty claims made during the Warranty Period, MULTIBRACKETS will replace any defective product part free of charge. Should a part on your Multibrackets product fail, please create an RMA case on [www.multibrackets.com/support](http://www.multibrackets.com/support) to make a warranty claim. We will await your documentation and then discuss the problem with you and once we confirm the product is under warranty, we will ship replacement parts to you. This Limited Warranty does not cover the costs of removing and replacing defective parts from your Multibrackets product. So, if your problem requires a repair technician, you must pay any labor charges.

outdoor use voids this Limited Warranty. The Limited Warranty for wall and ceiling mounts is void if the mount is moved from its initial installation. To the maximum extent permitted by applicable law, Multibrackets disclaims any other warranties, express or implied, including warranties of fitness for a particular purpose and warranties of merchantability. Multibrackets will not be liable for any damages whatsoever arising out of the use or inability to use its products, even if Multibrackets has been advised of the possibility of such damages. To the maximum extent permitted by applicable law, Multibrackets disclaims any responsibility for incidental or consequential damages.

This Limited Warranty extends only to the original purchaser of the product and is automatically void if your Multibrackets product is modified in any way, improperly installed, taxed beyond its stated weight capacity or otherwise misused or abused. All Multibrackets products are intended for indoor use only and any

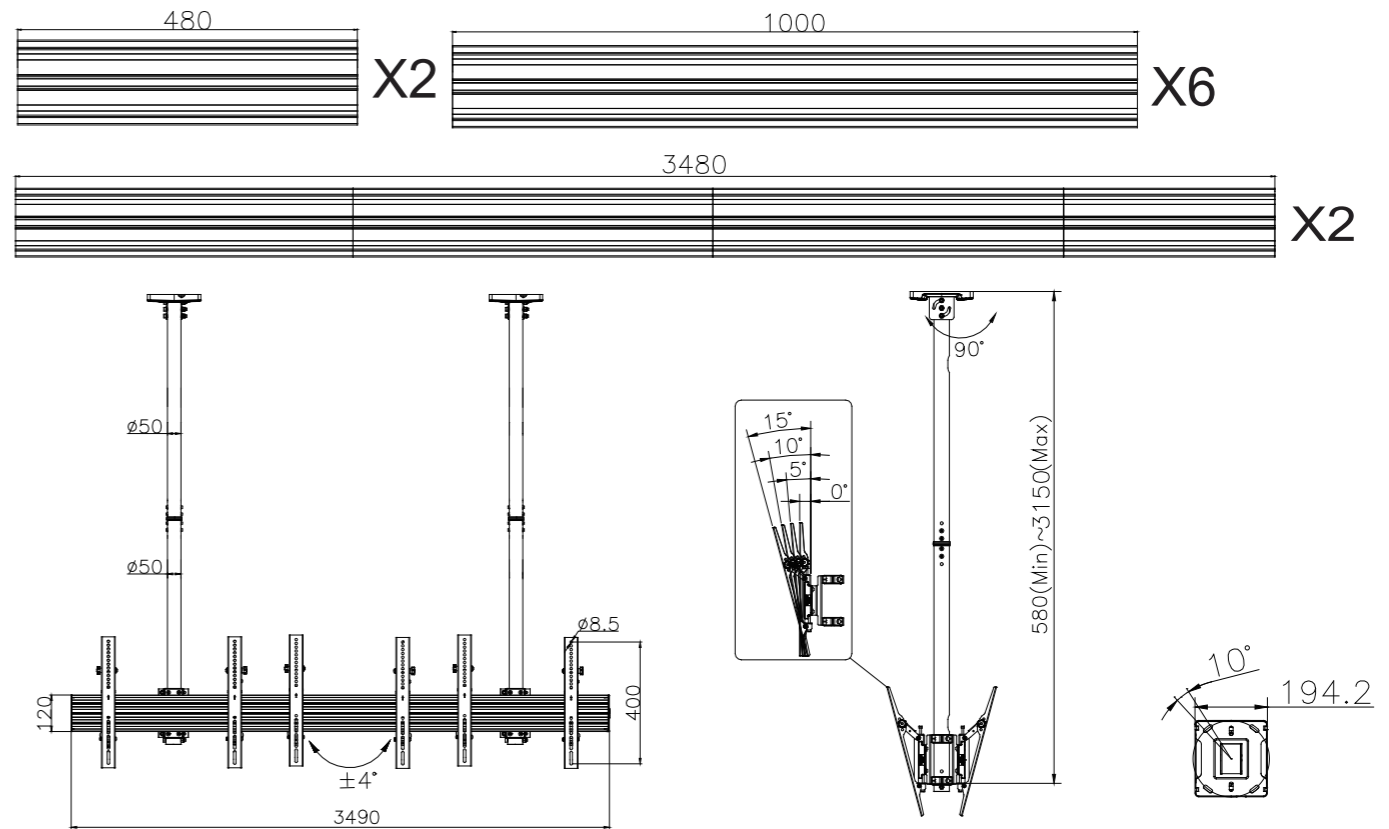
Multibrackets™ Stockholm Sweden 2016, [www.multibrackets.com](http://www.multibrackets.com)

All Multibrackets products are covered by a limited product warranty:

- FIVE (5) years for metal video monitor mounts; all racks and non-electrical rack accessories
- TWO (2) years for gaslifts and sit-stand workstations
- ONE (1) year for all motorized and/or automated products, plastic speaker mounts; all speaker stands; all furniture; all wood (MDF) accessories

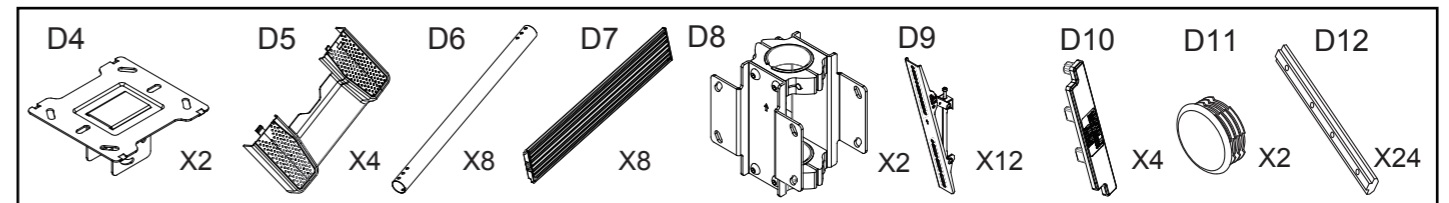


## Dimensions



## Parts list

A1 M5X15 X4	A2 M6X15 X4	A3 M8X15 X4	A4 Ø16XØ6.2X1.5 X4	X6	B1 M8X12 X8	B2 Ø16XØ8.2X1.5 X8	B3 3mm/5mm X1	B4 M5 X2	B5 Open-wrench X1	B6 5mm/6mm X1	M8 X8	X2
C1 M8X70 X3	C2 Ø18XØ8.2X1.5 X12	C3 M8X60 X1	C4 M8 X4		C5 Lag bolt X6	C6 Anchor X6	D1 X2	D2 M8X12 X8	D3 X1	X6		



## Installation

