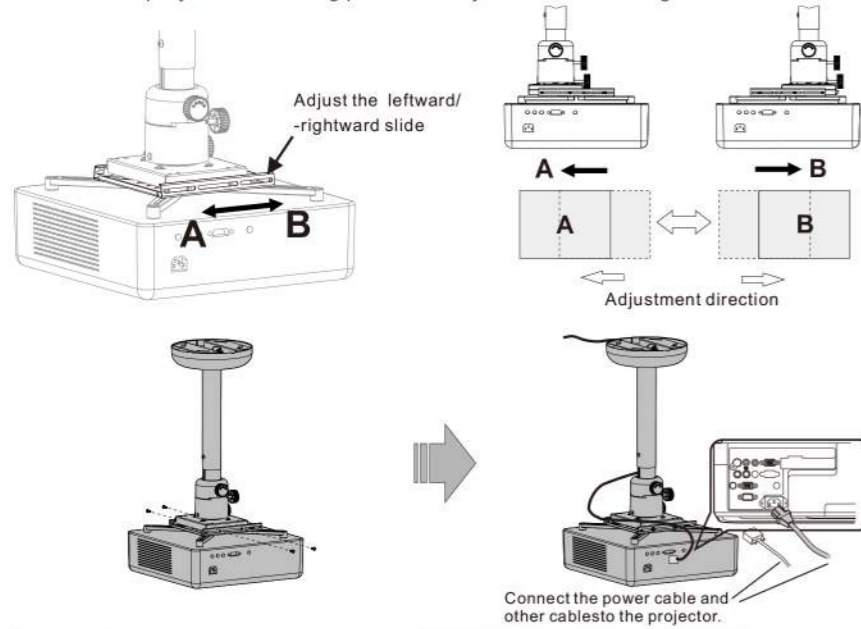
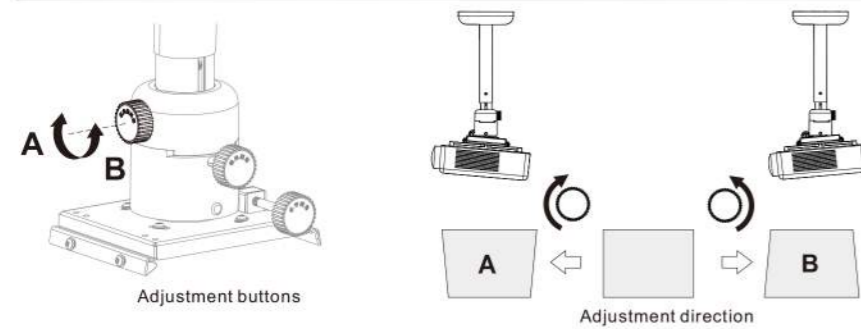


To Install The Projector On The Projector Ceiling Mount

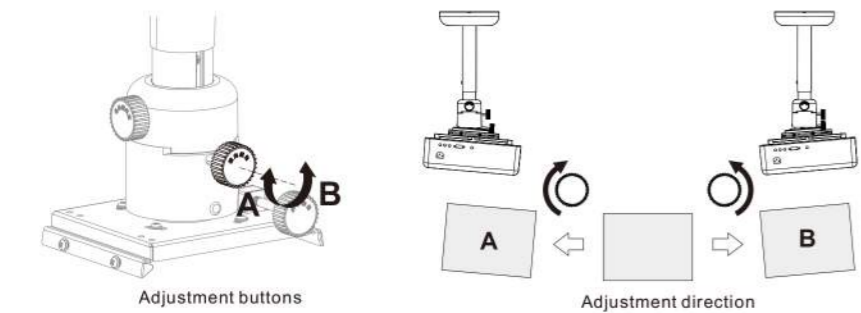
- Move the projector mounting plate and adjust the leftward/rightward slide.



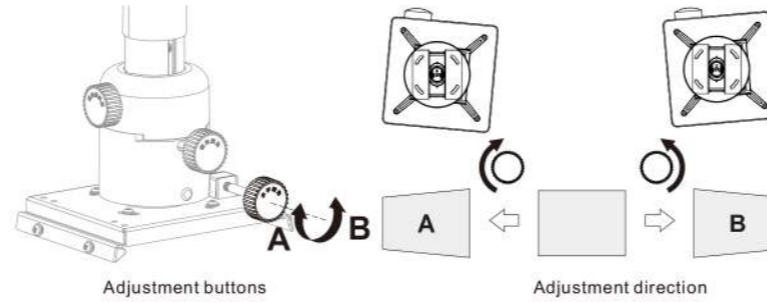
To Adjust The Vertical Tilt



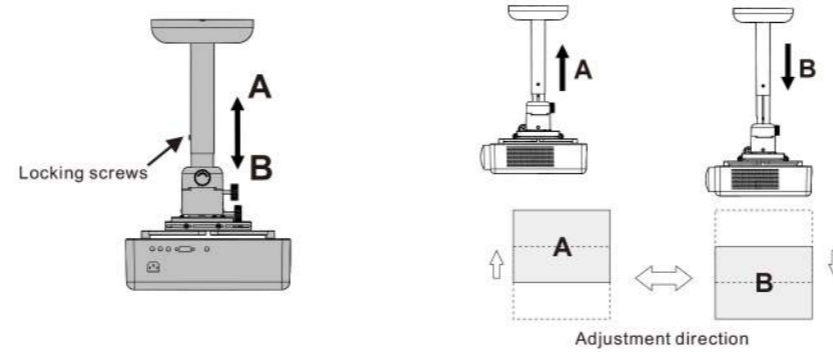
To Adjust The Horizontal Roll



To Adjust The Horizontal Rotation

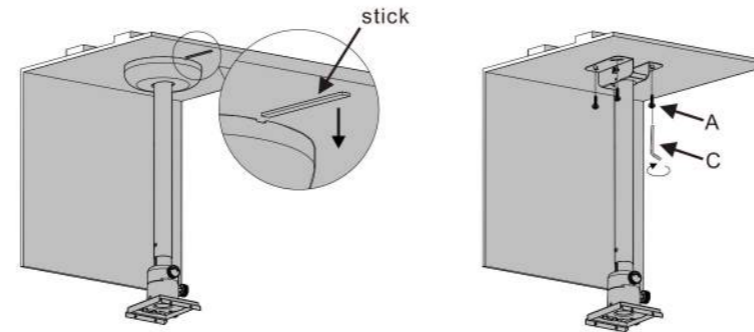


To Adjust The Upward/Downward Slide



To Remove The Projector Ceiling Mount

- Use a stick or something hard to pry open the ceiling plate cover.

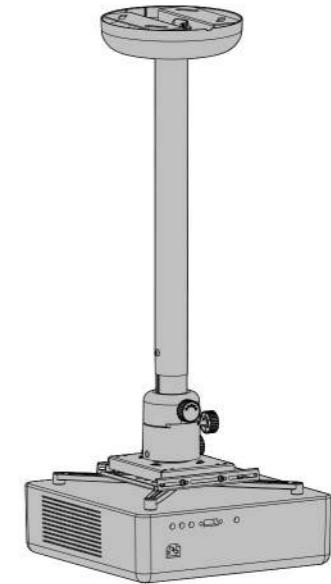


Product Information :

Model	M Universal Projector Ceiling Mount 500-800 with Fine tune
Product Weight	2.1kg
Max Weight Load	25kg
Adjustable Range	500mm-780mm(from mounting plate center to the screen)
Adjustable Angle	± 5° tilt, left/right, front/rear and lateral rotation adjustment



M Universal Projector Ceiling Mount 500-800 with Fine tune

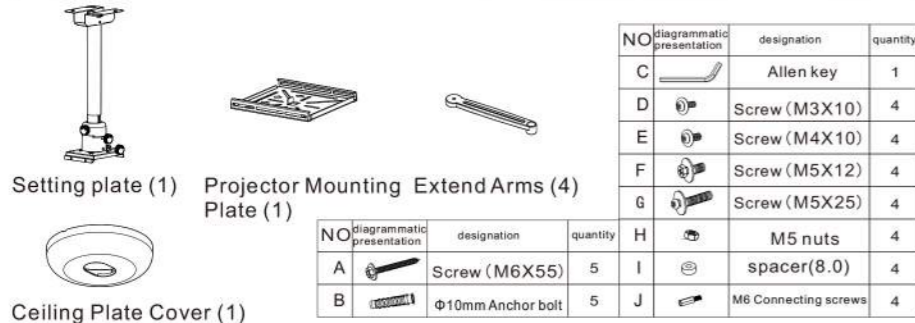


- Be sure to read this manual thoroughly and to do the installation work safely. Keep this manual available for future reference.
- Sufficient expertise is required for installing this projector Ceiling mount.
- Do not use the projector Ceiling mount for purposes other than for which it is designed.

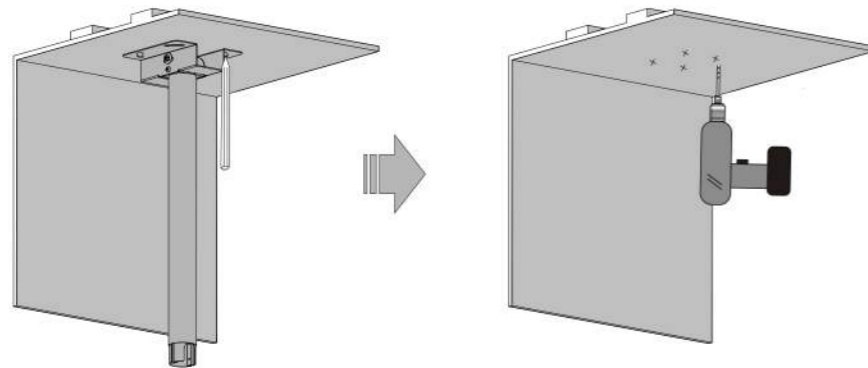
Important Safety

- ❶ Be sure to read this manual thoroughly to do the installation work.
 - ❷ Only qualified service personnel (two or more) should carry out installation or dismantling of the projector from the projector wall mount.
 - ⚠ **Use with products heavier than the maximum weights (Weight Capacity : <25kg) indicated may result in instability causing possible injury.**
 - ❸ For safety reasons, check the strength of the wall before installation. If the wall is not strong enough, reinforce it sufficiently before installation.
 - ❹ Do not make alterations to the projector Ceiling mount.
 - ❺ Do not install the projector Ceiling mount on a wall subject to vibration or impact.
 - ❻ To avoid fire, do not install the projector with the projector Ceiling mount in a humid or excessively dusty place.
 - ❼ Use the supplied accessories only. Use of accessories other than those supplied may result in damage to the projector Ceiling mount.
 - ❽ When dismantling the projector from the projector Ceiling mount, be sure to unplug the AC power cord and other connecting cables beforehand.
 - ❾ Do not hit or hang any heavy objects on the projector Ceiling mount. If the projector Ceiling mount is damaged, stop use and contact a qualified service person immediately.
 - ❿ Please install this apparatus only on the horizontal surface instead of the slanting one.
- * **Manufacturer is not liable for any damages or injury caused by mishandling or improper installation.**

Checking The Supplied Accessories

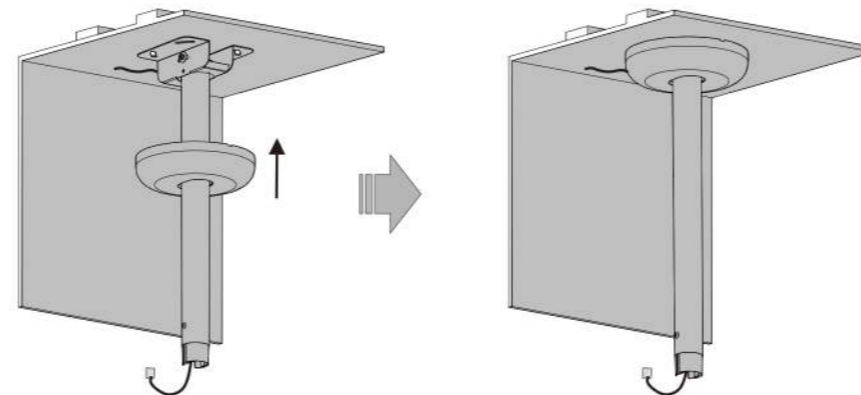
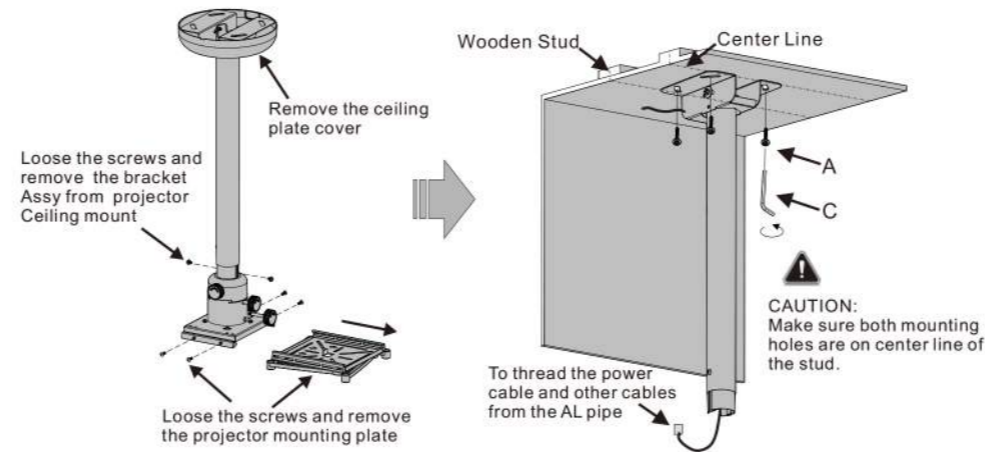
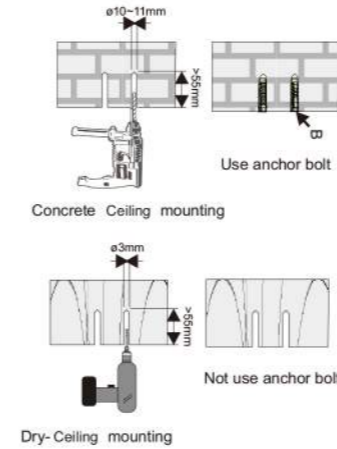


To Set The Projector Ceiling Mount On The Wall

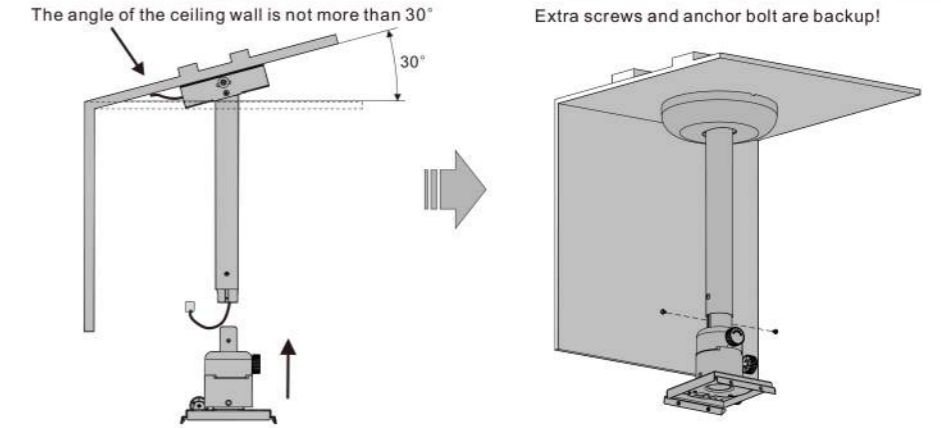


To Set The Projector Ceiling Mount On The Wall

- Concrete ceiling mounting thickness must be a minimum 100mm. Anchor bolt and screw (M6 × 55) are needed to be used for installation.
- Dry-ceiling mounting thickness must be a minimum 70mm. Only screw (M6 × 55) is needed to be used for installation. If the wall is not strong enough, reinforce it sufficiently before installation.
- Please contact reseller if you have any questions about mounting surface issue.

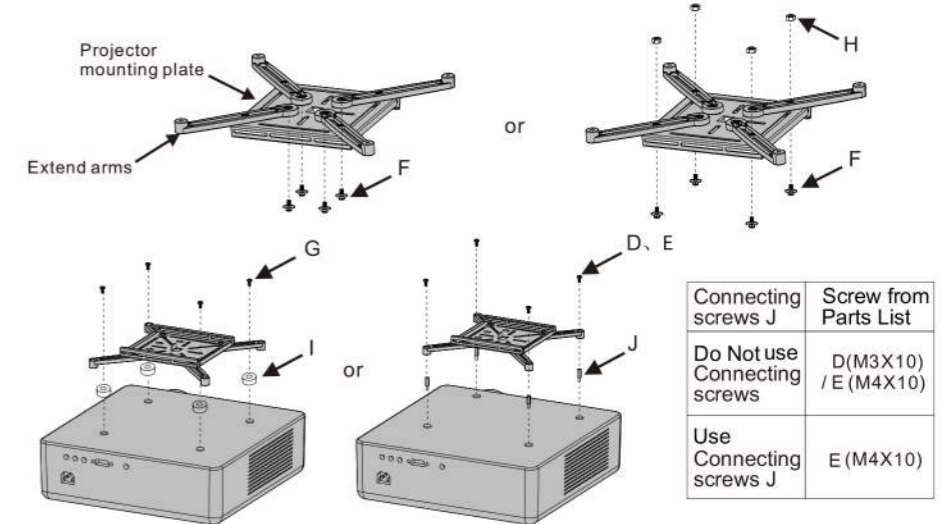


To Set The Projector Ceiling Mount On The Wall



To Install The Projector On The Projector Ceiling Mount

a. Use the extend arms :



b. Do not use the extend arms :

